

SZ-PIR04N

Compact Motion Sensor

- ▶ Compact and Flat Panel Design
- ▶ 400 Meters RF Transmission Range
- ▶ Detection Angle up to 90 Degrees FOV with 15 Meters
- ▶ Mirror Optics Design
- ▶ Immune to Pets Up to 85 lbs (38 kg)
- ▶ Built-in Ambient Temperature Sensor
- ▶ Built-in Ambient Light Sensor
- ▶ Battery Life 5 Years
- ▶ Low Battery Alert
- ▶ UL and ZigBee HA1.2.1 Certified
- ▶ OTA Upgrade



➔ Illustration

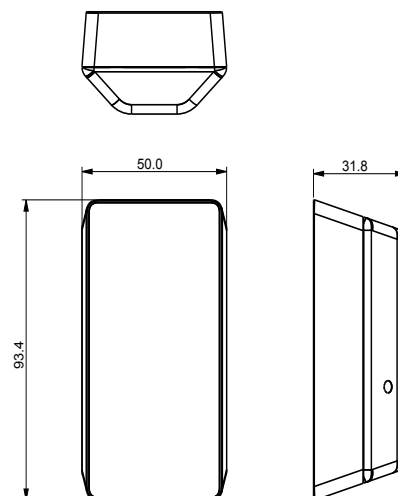
Front Panel



SidePanel



➔ Dimension Diagram (Unit: mm)



→ Specs

Radio Frequency	2.4G
RF Communication Range	400M (Open Air)
Switch	Tamper Switch x 1
LED Indicator	Red LEDx1, Green LEDx1
Battery	CR123A x 2
Average Battery Life	5 years (50 triggers per day @ 25°C)
Dimensions (H x W x D)	93.4mm x 50.0mm x 31.8mm (3.67" x 1.96" x 1.25")
ZigBee Profile	HA 1.2.1
Compliance	FCC, UL, ZigBee HA

→ Environment

Operation	Temperature: 0° - 50°C (32° - 122°F); Humidity: 0% - 90% RH (non-condensing)
Storage	Temperature: -20° - 65°C (-4° - 149°F); Humidity: 0% - 95% RH (non-condensing)

→ Ordering Information

Ordering Information	SZ-PIR04N: ZigBee PIR Motion Sensor
----------------------	-------------------------------------

